

5 COLOR 1 FINISH



A NEW DIMENSION
TO YOUR SPACE.

MARQUINA

ONYX WHITE

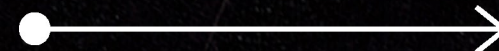
ROMA WHITE

PIETRA GREY

STATUARIO CARARA

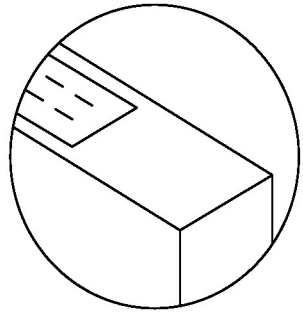
↑ A NEW DIMENSION
TO YOUR SPACE.

Note: We illuminate the tile with additional lighting to showcase a sparkling effect. Therefore, we kindly request you to assess the actual piece for precise color representation before making the final decision on the product.

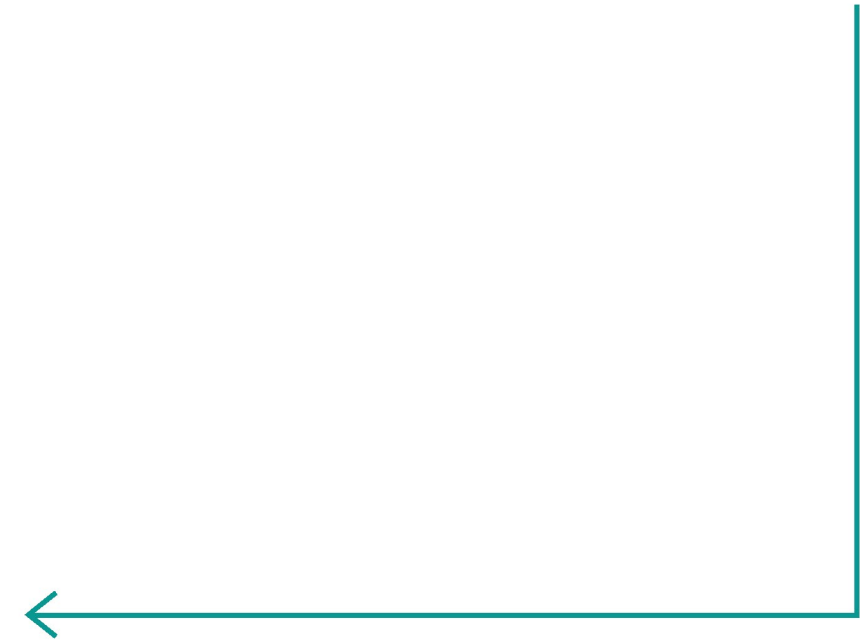


EXTRA
GLOSS
✦ ✦ ✦

MARQUINA



MARQUINA



**ENHANCE THE BEAUTY OF
YOUR KITCHEN WITH THE EXQUISITE
CHARM OF OUR SLAB TILES,
CREATING A TRULY
STUNNING CULINARY SPACE.**



FULLBODY
15MM



EXTRA
GLOSS



MARQUINA

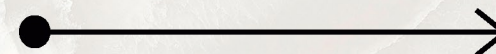


800 X 3200 MM

A NEW DIMENSION TO YOUR SPACE.



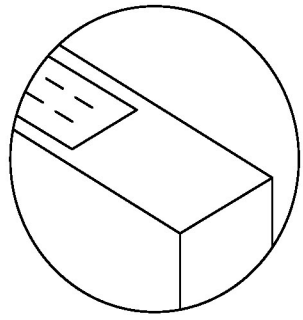
**EXTRA
GLOSS**



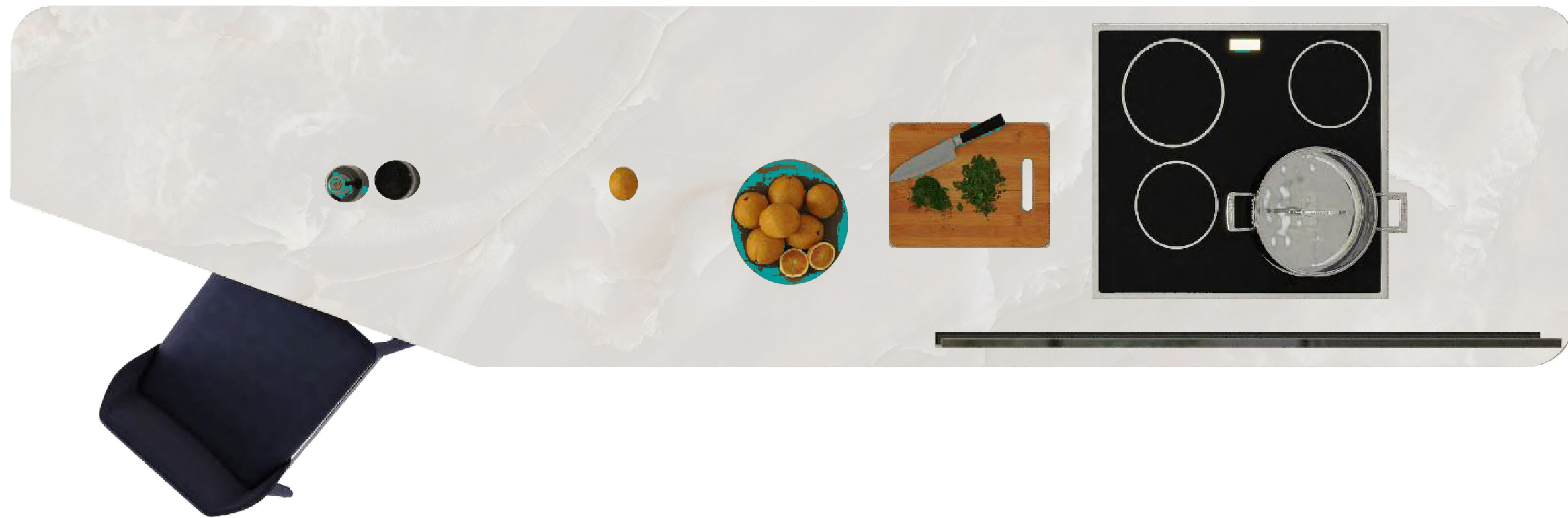
ONYX WHITE

Note: We illuminate the tile with additional lighting to showcase a sparkling effect. Therefore, we kindly request you to assess the actual piece for precise color representation before making the final decision on the product.






ONYX WHITE



**EVITALIZE YOUR BATHROOM
WITH THE EXQUISITE ELEGANCE OF
OUR SLAB TILES, CREATING
A STUNNING SPACE THAT EXUDES
BEAUTY AND LUXURY.**



FULLBODY
15MM



**EXTRA
GLOSS**





ONYX WHITE

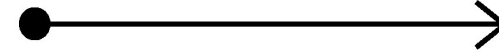


800 X 3200 MM

A NEW DIMENSION TO YOUR SPACE. →



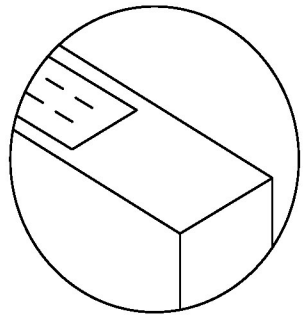
**EXTRA
GLOSS**
✦ ✦ ✦ ✦



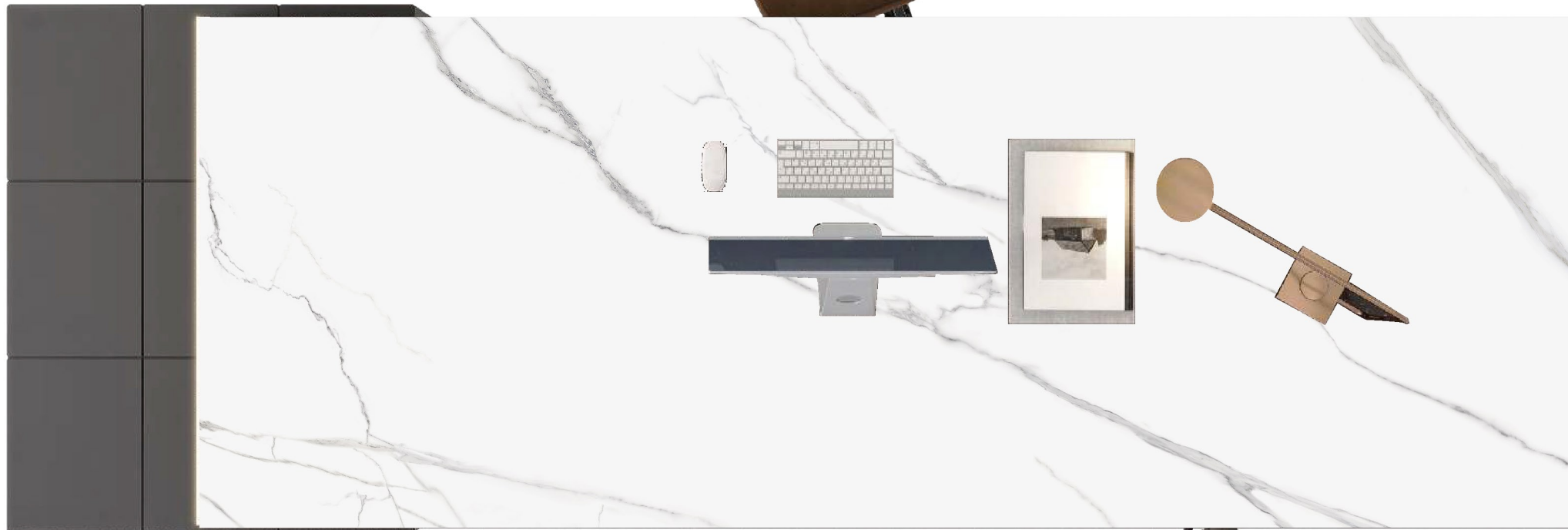
ROMA WHITE

Note: We illuminate the tile with additional lighting to showcase a sparkling effect. Therefore, we kindly request you to assess the actual piece for precise color representation before making the final decision on the product.





ROMA WHITE



**ELEVATE YOUR WORKSPACE TO
NEW HEIGHTS OF BEAUTY
WITH OUR STUNNING TILES, INSPIRING
CREATIVITY AND SOPHISTICATION.**



FULLBODY
15MM



**EXTRA
GLOSS**



ROMA WHITE

800 X 3200 MM

A NEW DIMENSION TO YOUR SPACE.



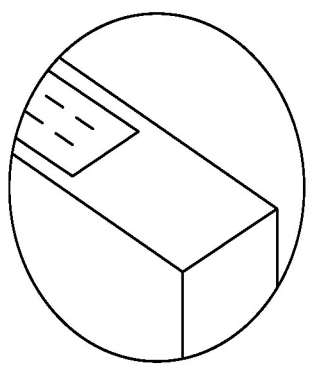
EXTRA
GLOSS



PIETRA GREY

Note: We illuminate the tile with additional lighting to showcase a sparkling effect. Therefore, we kindly request you to assess the actual piece for precise color representation before making the final decision on the product.

A NEW DIMENSION
TO YOUR SPACE.



PIETRA GREY



**ENHANCE THE ALLURE OF YOUR
SHOWROOM WITH THE
EXQUISITE BEAUTY OF OUR TILES,
TRANSFORMING IT INTO A
CAPTIVATING SPACE.**



FULLBODY
15MM



**EXTRA
GLOSS**



PIETRA GREY



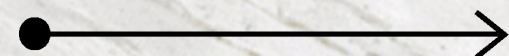
800 X 3200 MM

A NEW DIMENSION TO YOUR SPACE.



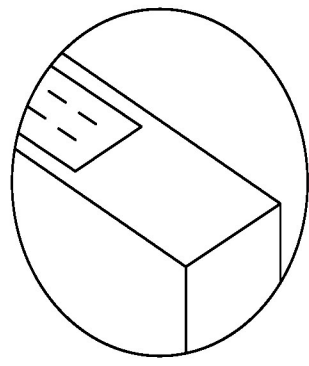


Note: We illuminate the tile with additional lighting to showcase a sparkling effect. Therefore, we kindly request you to assess the actual piece for precise color representation before making the final decision on the product.

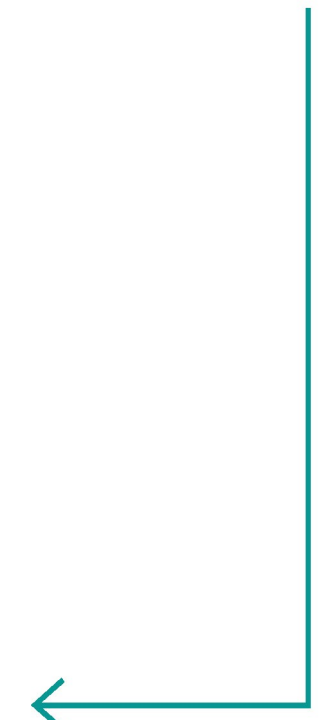


**EXTRA
GLOSS**
✦ ✦ ✦ ✦

STATURIO CARARA



STATURIO CARARA



**ELEVATE YOUR STAIRCASE TO A
WORK OF ART WITH THE
CAPTIVATING BEAUTY OF OUR
FULL-BODY TILES, ADDING A TOUCH OF
ELEGANCE TO YOUR SPACE.**



FULLBODY
15MM



**EXTRA
GLOSS**





STATURIO CARARA



800 X 3200 MM

A NEW DIMENSION TO YOUR SPACE.



Cleaning & Maintenance

Our products are non porous (due to their high quality raw materials, stringent production parameters and state of the art technology), hence any dust or deposited waste cannot penetrate the surface.

For most cases only a damp cloth is sufficient for cleaning.

Regular cleaning highlights the aesthetic features of the surface and gives it exceptional shine.

For highly aggressive cleaning caused by some common food and substances follow the table below.

TYPE OF STAIN	CHEMICAL PRODUCT	EXAMPLE
Grease	Alkaline - Solvent	Detergent
Oil	Solvent	Ammonia, Baking Soda
Ink	Oxidant - Solvent	Alcohol, Liquid Bleach, Nail Paint Remover
Rust	Acid	Hydrochloric Acid, Vinegar, Red Harpic
Lime	Acid	Descaling Reagent, Hydro Chloric Acid
Cement	Acid	Hydro Chloric Acid
Wine	Alkaline	Ammonia, Liquid Bleach
Coffee	Alkaline - Solvent	Ammonia, Liquid Bleach
Rubber	Solvent	Alcohol, Thinner
Plaster	Acid	Hydro Chloric Acid
Candle Wax	Solvent	Alcohol, Thinner
Iodine	Oxidant	Liquid Bleach
Blood	Oxidant	Liquid Bleach
Ice Cream	Alkaline	Liquid Bleach

Note: It is recommended that any kind of stain needs to get clean immediately / as soon as possible.

TECHNICAL SPECIFICATION

CHARACTERISTIC	STANDARD AS PER ISO13006:2018/ EN14411 Gr.BIa	STANDARD AS PER IS15622:2017 Gr.BIa	MEAN VALUE OF VOLARK	TEST METHOD
Regulatory Properties				
Deviation in length and width	± 0.30 % (±1.00mm)	± 0.10 %	± 0.10 %	ISO 10545-2 & IS 13630-1
Deviation in thickness	± 5.00 % (±0.50mm)	± 5.00 %	± 4.00 %	ISO 10545-2 & IS 13630-1
Straightness in side	± 0.30 % (±0.80mm)	± 0.10 %	± 0.10 %	ISO 10545-2 & IS 13630-1
Rectangularity	± 0.30 % (±1.50mm)	± 0.10%	± 0.10 %	ISO 10545-2 & IS 13630-1
Surface flatness central curvature	± 0.40 % (±1.80mm)	± 0.50 %	± 0.20 %	ISO 10545-2 & IS 13630-1
Surface flatness edge curvature	± 0.40 % (±1.80mm)	± 0.50 %	± 0.20 %	ISO 10545-2 & IS 13630-1
Surface flatness warpage	± 0.40 % (±1.80mm)	± 0.50 %	± 0.10 %	ISO 10545-2 & IS 13630-1
Surface quality	> 95% defects free	> 95% defects free	> 95% defects free	ISO 10545-2 & IS 13630-1
Small color difference (for plain color)	ΔE < 0.75	N.A.	ΔE < 0.30	ISO 10545-16
Glossiness (with nano polished)	as per mfg.	as per mfg.	> 90°*	Glossmeter 60°
Glossiness (without polished)	as per mfg.	as per mfg.	3° < GLOSS < 7°	Glossmeter 60°
Glossiness (satin)	as per mfg.	as per mfg.	7° < GLOSS < 18°	Glossmeter 60°
Structural Properties				
Water absorption	≤ 0.50 %	≤ 0.080 %	≤ 0.060 %	ISO 10545-3 & IS 13630-2
Bulk density	as per mfg.	Min. 2.20 g/cc	> 2.28 gm/cc	DIN51082 & IS 13630-2
Massive Mechanical Properties				
Modulus of rupture	Min. 35.0 N/mm	Min. 35.0 N/mm	Min. 40.0 N/mm	ISO 10545-4 & IS 13630-6
Breaking strength thickness <7.5	Min. 700.0 N	Min. 700.0 N	Min. 1000.0 N	ISO 10545-4 & IS 13630-6
Breaking strength thickness ≥7.5	Min. 1300.0 N	Min. 1300.0 N	Min. 1800.0 N	ISO 10545-4 & IS 13630-6
Breaking strength thickness ≥7.5 (15mm)	Min. 1300.0 N	Min. 1300.0 N	Min. 5000.0 N	ISO 10545-4 & IS 13630-6
Surface Mechanical Properties				
MOH'S hardness	as per mfg.	Min. 5	Glossy - Min. 4 / Matt - Min. 6	BS EN 15771:2010
Deep abrasion resistance	Max. 175mm ³	Max. 140mm ³	Max. 132mm ³	ISO 10545-6 & IS 13630-12
Thermal Hydrometric Properties				
Moisture expansion	Max. 0.06%(0.6mm/m)	Max. 0.02mm/m	Max. 0.02mm/m	ISO 10545-10 & IS 13630-3
Thermal expansion(COE) at 100°C	as per mfg.	Max. 6.0 x 10 ⁻⁶	Max. 6.0 x 10 ⁻⁶	ISO 10545-8 & IS 13630-4
Thermal shock resistance	Min. 10 Cycle	Min. 10 Cycle	Min. 10 Cycle	ISO 10545-9 & IS 13630-5
Impact resistance(COR)	Min. 0.55	Min. 0.55	Min. 0.55	ISO 10545-5 & IS 13630-14
Frost resistance	as per mfg.	as per mfg.	Frost Proof	ISO 10545-12 & IS 13630-10
Chemical Properties				
Resistance to staining glazed	Min. Class 3	Min. Class 2	Min. Class 4/Min. Class 2	ISO 10545-14 & IS 13630-8
Resistance to household chemicals & swimming pool salts glazed	Min. Class UB	as per mfg.	Min. Class UB/Min. Class A	ISO 10545-13 & IS 13630-8
Resistance to low concentrate acid and alkalis glazed	as per mfg.	as per mfg.	Min. Class ULB*/Min. Class A***	ISO 10545-13 & IS 13630-8
Resistance to high concentrate acid and alkalis glazed	as per mfg.	as per mfg.	Min. Class UHB*/Min. Class A***	ISO 10545-13 & IS 13630-8
Safety Properties				
Skid resistance(DCOF-DRY)##	as per mfg.	as per mfg.	Polished - < 0.30 / Matt - > 0.40	ANSI/NFSI B101.3-2012
Slip resistance(DCOF)(R value)##	as per mfg.	as per mfg.	R9 to R13	DIN 51130
Fire resistance	as per mfg.	N.A.	Fire Proof	N.A.

* Glossiness 90% with nano technology
 ** Except Hydrofluoric Acid & it's compound
 # Unglazed tiles Intended for use on floor
 ## As per customer requirement

Packing Details

PACKING DETAIL				
SIZE	THICKNESS	NO. OF SLAB/BOX	WEIGHT/BOX	COVERAGE AREA
80x320 cm	1.5 cm	1 Pcs.	90kg approx	2.56 sq meter